

# CUBE 2

## Features

- Solid brass construction
- Temperature-adjust handle for thermostatic valve
- ADA compliant contemporary lever handle assembly options for control valve
- Intended for use with Newport Brass rough valve(s) as specified (Required Accessory)

## Codes / Standards Compliance

Meets or exceeds the following at date of manufacture:

- ASME A112.18.1/CSA B125.1
- IAPMO/cUPC
- IPC
- ADA
- ICC/ANSI A117.1
- ASSE 1016
- All applicable US Federal and State material regulations

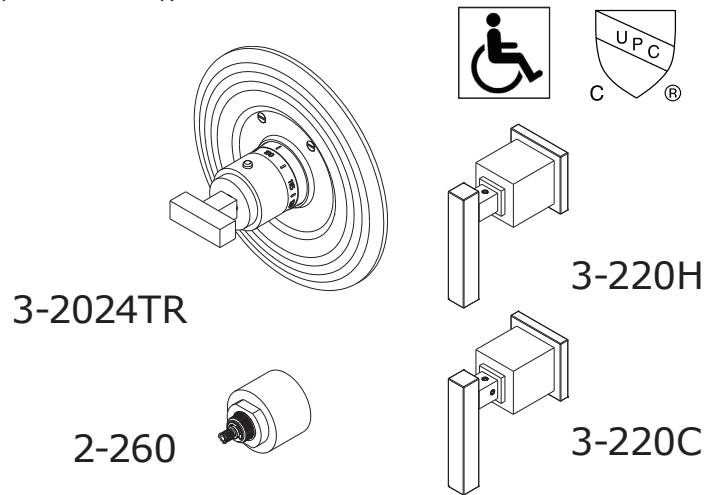
## Colors / Finishes

- 15: Polished Nickel
- 15S: Satin Nickel
- 26: Polished Chrome
- 10B: Oil Rubbed Bronze
- Other: Other

## Thermostatic Shower System Trim

# 3-2024TR

Also 2-260, 3-220C, 3-220H



## Specified Model

| Model    | Description                                                  | Colors / Finishes           |                              |                             |                              |                                |
|----------|--------------------------------------------------------------|-----------------------------|------------------------------|-----------------------------|------------------------------|--------------------------------|
| 3-2024TR | Thermostatic Shower System Trim                              | <input type="checkbox"/> 15 | <input type="checkbox"/> 15S | <input type="checkbox"/> 26 | <input type="checkbox"/> 10B | <input type="checkbox"/> Other |
| 2-260    | Optional Extension for Thermostatic Shower System Valve Trim | <input type="checkbox"/> 15 | <input type="checkbox"/> 15S | <input type="checkbox"/> 26 | <input type="checkbox"/> 10B | <input type="checkbox"/> Other |
| 3-220C   | Shower System Control Valve Trim (Escutcheon/Handle, Cold)   | <input type="checkbox"/> 15 | <input type="checkbox"/> 15S | <input type="checkbox"/> 26 | <input type="checkbox"/> 10B | <input type="checkbox"/> Other |
| 3-220H   | Shower System Control Valve Trim (Escutcheon/Handle, Hot)    | <input type="checkbox"/> 15 | <input type="checkbox"/> 15S | <input type="checkbox"/> 26 | <input type="checkbox"/> 10B | <input type="checkbox"/> Other |

## Required Accessory:

| Application       | Shower System Valve            | Shower System Control Valves    |                                 |                                 |                                 |                             |
|-------------------|--------------------------------|---------------------------------|---------------------------------|---------------------------------|---------------------------------|-----------------------------|
|                   |                                | Flow Control (CCW Off)          |                                 | Flow Control (CW Off)           |                                 |                             |
| Description       | Thermostatic                   | Flow Control (CCW Off)          |                                 | Flow Control (CW Off)           |                                 |                             |
| Inlet/Outlet Size | 3/4"                           | 1/2"                            | 3/4"                            | 1/2"                            | 3/4"                            | 3/4" (20pt spline)          |
| Part Number       | <input type="checkbox"/> 1-540 | <input type="checkbox"/> 1-606c | <input type="checkbox"/> 1-607c | <input type="checkbox"/> 1-606h | <input type="checkbox"/> 1-607h | <input type="checkbox"/> NA |
| Image             |                                |                                 |                                 |                                 |                                 |                             |

Note: The use of one 1-606H/C or 1-607H/C flow control valve and one 1-617 diverter valve can be configured to meet the requirements of CALGreen Bldg. Code (2010).

## Product Specification:

Add "Color / Finish" suffix to Trim model numbers, below.

The Thermostatic Shower System Trim shall be made of solid brass construction. Thermostatic Shower System Trim shall include a faceplate and temperature-adjust handle. Shower System Control Valve Trim(s) (Escutcheon/Handle) shall be ADA compliant when used with specified Shower System Control Valve(s). Thermostatic Shower System Trim shall be Newport Brass Model 3-2024TR/\_\_\_\_ and Thermostatic Shower System Valve shall be Newport Brass Model 1-540. Shower System Control Valve Trim(s) (Handle/Escutcheon) shall be 3-220C/\_\_\_\_ (and 3-220H/\_\_\_\_) and Shower System Control Valve(s) shall be 1-60\_\_\_\_ (and 1-60\_\_\_\_).

# 3-2024TR

Product Dimensions (units are in inches)

